

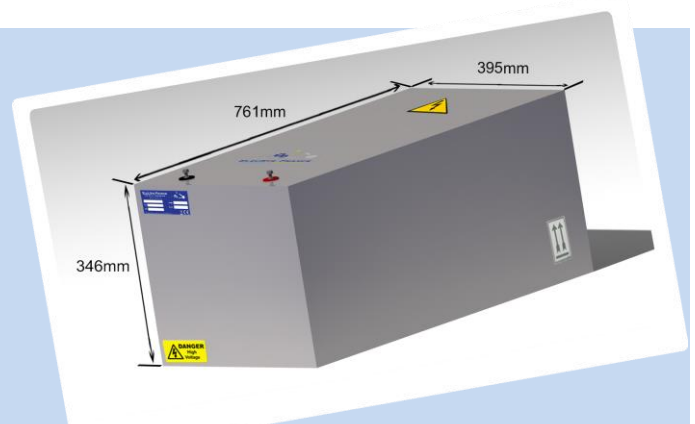
Lithium Iron Phosphate Battery (LiFePO₄)

ESF48LFP180, 8.64kWh

| Item | Unit | Specifications |
|------------------------------|----------------------|----------------|
| | | Value |
| Nominal capacity | Ah | 180 |
| Nominal voltage | V | 48 |
| Rated energy | Wh | 8640 |
| Min. op. voltage | V | 42 |
| Max. discharge current | A | 1000 |
| Recommended charging current | A | 54 |
| Standard charging time | h | 4 |
| Quick charging time | h | 1 |
| SOC range | % | 10~90 |
| Op. temperature charging | °C | 0~45 |
| Op. temperature discharging | °C | -20~55 |
| Storage temperature | °C | -20~45 |
| Weight | kg | 96.00 |
| Cycle life | (80DOD%) | ≥1500 |
| | (70DOD%) | ≥2000 |
| Packaging | Box | Aluminum |
| | Box | IP67 |
| Charge management | | BMS |
| Electric protection | Power connector | IP67 |
| | Pre-charging circuit | Include |
| Communication | | CAN |
| Output charger signal | | CAN |
| | | PWM |
| | | TOR |

ElecSys-France LFP Batteries :

- *designed for electric and hybrid vehicles and storage systems.*
- *connected with protected connectors against direct-contact to the High Voltage (HV).*
- *managed by a control board including BMS cards, security control system, dynamic control management of SOC, CAN, PWM charger signal, ignition signal, pre-charging circuit and an external 12V service.*



ELECSYS FRANCE SASU

453, Rue du Breuil - Technoland - 25460 ETUPES
Tél. +33 (0) 9 53 33 30 25 - Fax. +33 (0) 9 58 33 30 25
info@elecsys-france.com / www.elecsys-france.com

